

Multi zone inverter mini split

TOSOT

MODEL: TM18H4O

Project Name:

Location:

Engineer Name:

Purshaser:

Unit Designation:

Schedule No.

SubmittedTo:

Date:

General Features

- High And Low Pressure Protection Features
- Over Load Protection Features



- Over-Current Protection
- Anti Freeze Protection

Unit Performance:

Cooling:	-	-
Capacity (Min Rated Max, Btu/h)	6,998-18000-21000	
SEER	22	
EER (Btu/h)/w	12.5	
Heating:	-	-
Capacity (Min Rated Max, Btu/h)	7,000-19000-22600	
HSPF	11	
COP (W/W)	3.66	

Unit Specification

Refrigerant Type	R410A
Refrigerant Control	EEV
Sound Pressure (dB(A))	56
Net Weight (lbs)	114.4
Min. Number IDU	1
Max. Number IDU	2
Dehumidification (Pint/h)	N/A
Heat Exchanger Coating	GoldFin™

Piping

Refrigerant Charge (lbs)	3.52
Liquid Line (in)	1/4
Gas Line (in)	3/8
Max Total Piping (ft)	65.6
Max ODU to IDU Piping (per zone, ft)	32.8
Total Piping Length (with factory charge, ft)	32.8
Max Elevation between ODU and IDU (ft)	32.8
Max Elevation between IDU and IDU (ft)	32.8

Electrical Specification

Power Supply	208-230V / 60Hz
Communications Wire Size	AWG 14/4
MOP (A)	25
MCA (A)	25
Cooling Rated Amps (A)	6.26
Heating Rated Amps (A)	6.61
Compressor RLA (A)	10.82
Fan Motor RLA (A)	0.38
Nominal Cooling Power Input (kW)	1.44
Nominal Heating Power Input (kW)	1.52

Operating Range:

Cooling (°F)	0-118
Heating (°F)	-5-75

Compressor:

Quantity	1
Type	Inverter Rotary
Oil/Type	RB68EP

Fan

Type	Axial-flow
Quantity	1
Motor/Drive	DC motor/Direct drive
Max Air Flow Rate (CFM)	1883

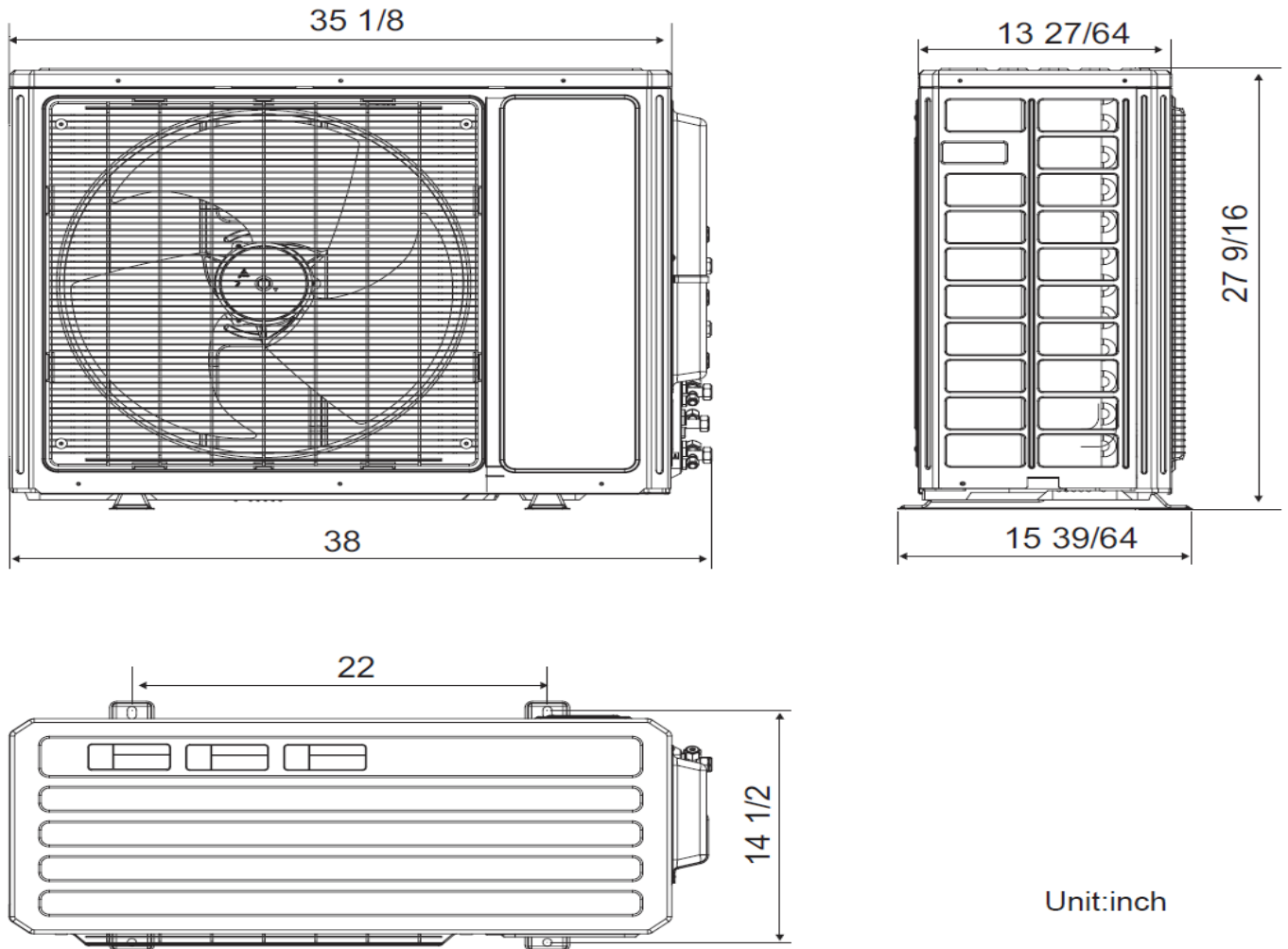


Multi zone inverter mini split

TOSOT

MODEL: TM18H40

Outline Dimension Diagram



GLOSSARY

- SEER - Seasonal Energy Efficiency Ratio
- EER - Energy Efficiency Ratio
- HSPF - Heating Seasonal Performance Factor
- MOP - Maximum Overcurrent Protection
- MCA - Minimum Circuit Ampacity

Multi zone inverter mini split

TOSOT

MODEL: TM18H4O

COMBINATIONS

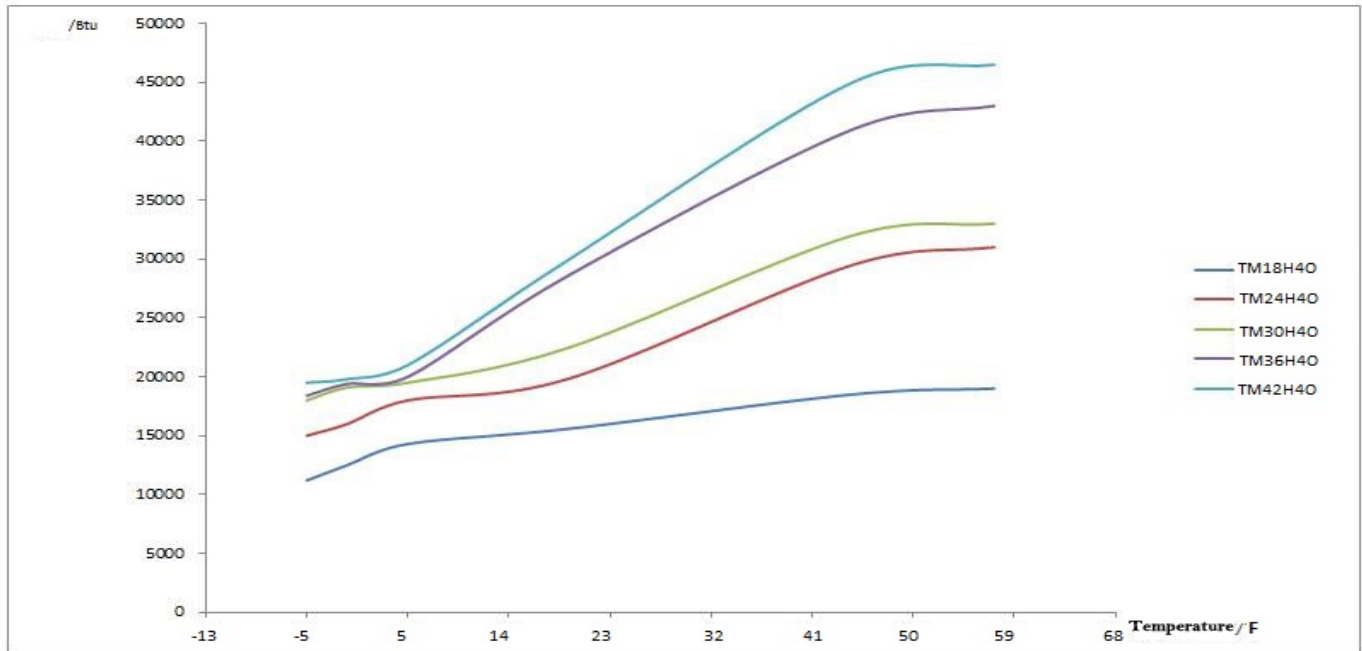
09 + 09

09 + 12

18K ODU

✓

✓



Approved By:

Signature

Date

TOSOT

315 Boulevard Industriel, Châteauguay, QC, Canada J6J 4Z2
Contact: +1 (450) 698-4000
info@tosotamerica.com
tosotamerica.com